

# A01ES-D

## Emergency stop switches

*Distinctive features and specifications*



A01ESD1701A-R1

- ❑ Approved to EN 60947-5-5
- ❑ 5 prominent red actuator styles
- ❑ Locked/unlocked status indicator
- ❑ AC15 1,5A 250VAC, 6A 250VAC
- ❑ Panel sealed to IP65

### ENVIRONMENTAL SPECIFICATIONS

- Sealing options : front panel IP65, rear panel IP40 according to EN60947-5-5
- Operating temperature : -20°C to +55°C

### ELECTRICAL SPECIFICATIONS

- Electrical function : push to shut off, twist to release
- Current/voltage rating : AC-15 1,5A 250VAC, 6A 250VAC
- Electrical life : 6.050 cycles
- Contact gap : > 3mm
- Insulation resistance : 50MΩ min
- Dielectric test voltage : 2900V

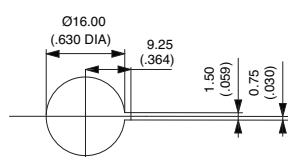
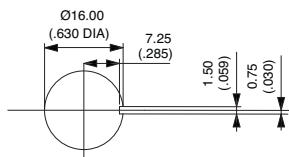
### GENERAL SPECIFICATIONS

- Panel thickness : 6mm (.236) max.
- Mechanical life : 6050 cycles
- Operating force : 18 to 20N
- Torque : 0.8Nm
- Soldering : 350C, 5 seconds (IEC 68-2-2-20Tb, method 2)
- Switch terminals : solder/ quick-connect 2.8mm (.110) (IEC 68-2-20)

### PANEL CUT-OUT

A01ES-DM - A01ES-DSP3

A01ES-D - A01ES-DF1 - A01ES-DF2



### MATERIALS

- Operator case : polyetherimide
- Actuator : polycarbonate
- Switch block : PBT
- Panel seal : neoprene

### AGENCY APPROVAL

Switch block approved to  
UL 1054 / VDE / EN 61058-1

The company reserves the right to change specifications without notice.

# A01ES-D

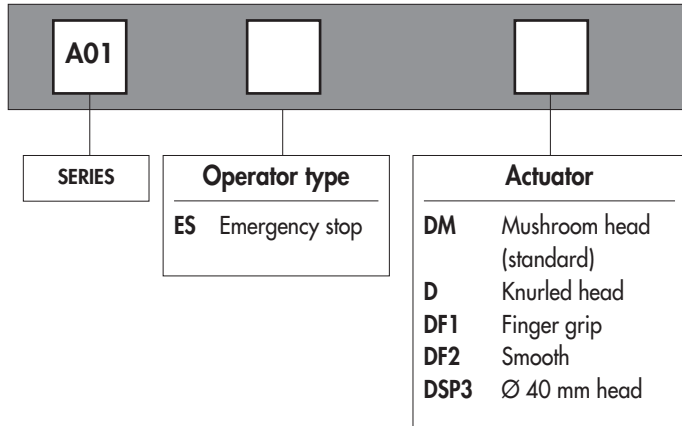
## Emergency stop switches

### Overview

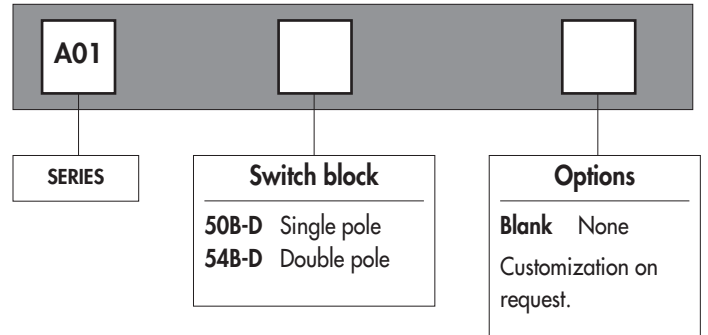
#### HOW TO ORDER

An emergency stop switch assembly requires : 1 operator + 1 switch block.

#### OPERATOR



#### SWITCH BLOCK



#### Example A01ES-D + A0154B-D

Ø 16 mm red twist to reset, standard actuator with double pole positive break switch block.



**Dimensions** : first dimensions are in mm while inches are shown as bracketed numbers.

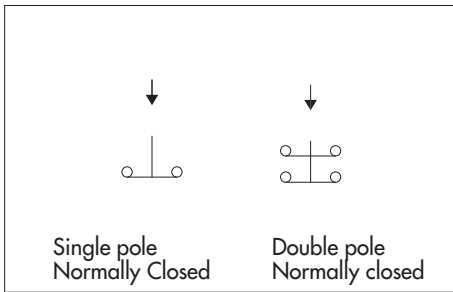


**Mounting accessories** : Standard hardware supplied : 1 nut and 1 flat panel seal.

# A01ES-D

Emergency stop switches

Panel cut-out  $\varnothing$  16 mm (.629)



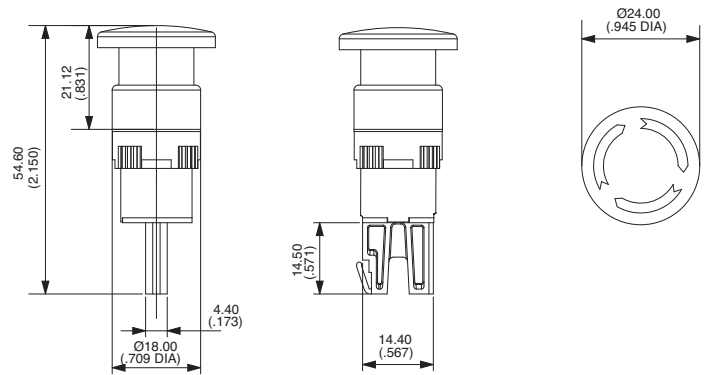
OPERATOR



## Mushroom head actuator - standard



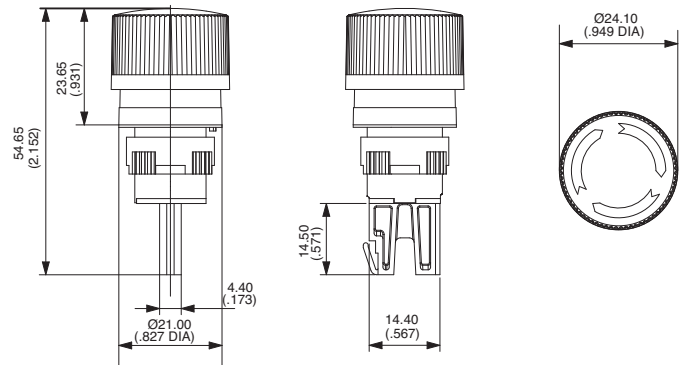
A01ES-DM



## Knurled head actuator



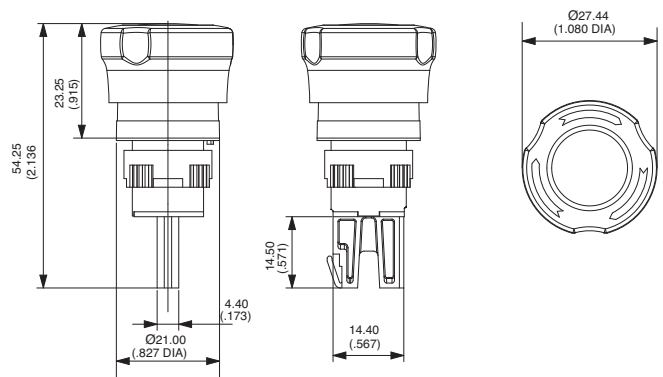
A01ES-D



## Finger grip actuator



A01ES-DF1



# A01ES-D

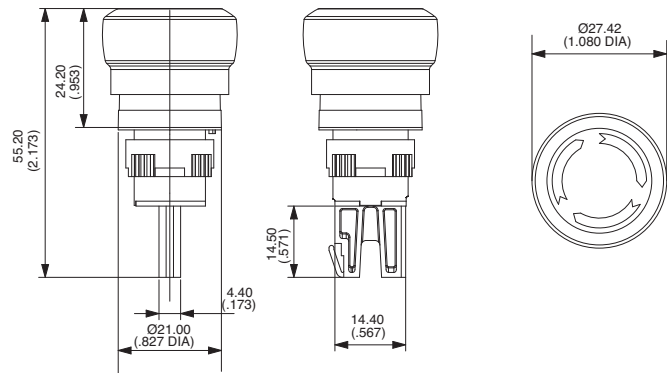
## Emergency stop switches

Panel cut-out Ø 16 mm (.629)

### Smooth actuator



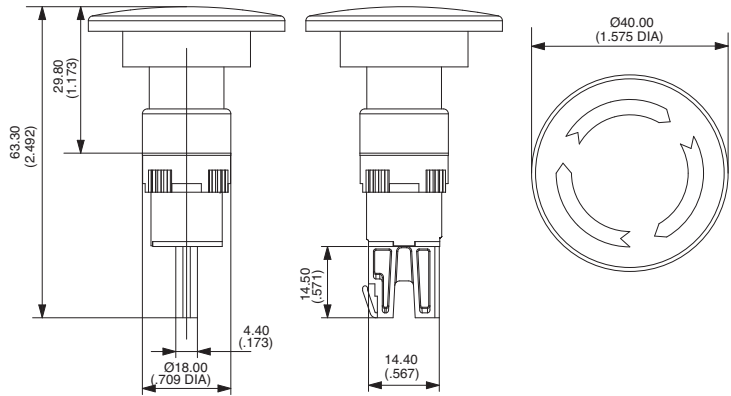
A01ES-DF2



### Ø 40 mm head actuator



A01ES-DSP3

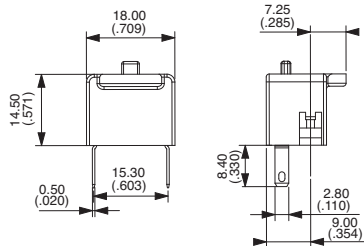


SWITCH  
BLOCK

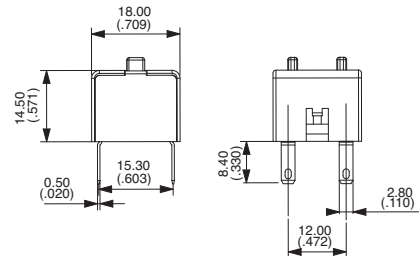


Customization on request, please contact APEM.

### Single pole : A0150B-D



### Double pole : A0154B-D



### Accessory : Ø 60 mm self adhesive Label



English text	A01YL1
Without text	A01YL2
French text	A01YL3
Italian text	A01YL4
Other languages on request.	

### Accessory : nut tool



Part number : 30-0001