

1 2 3 4 5 6

A

A

B

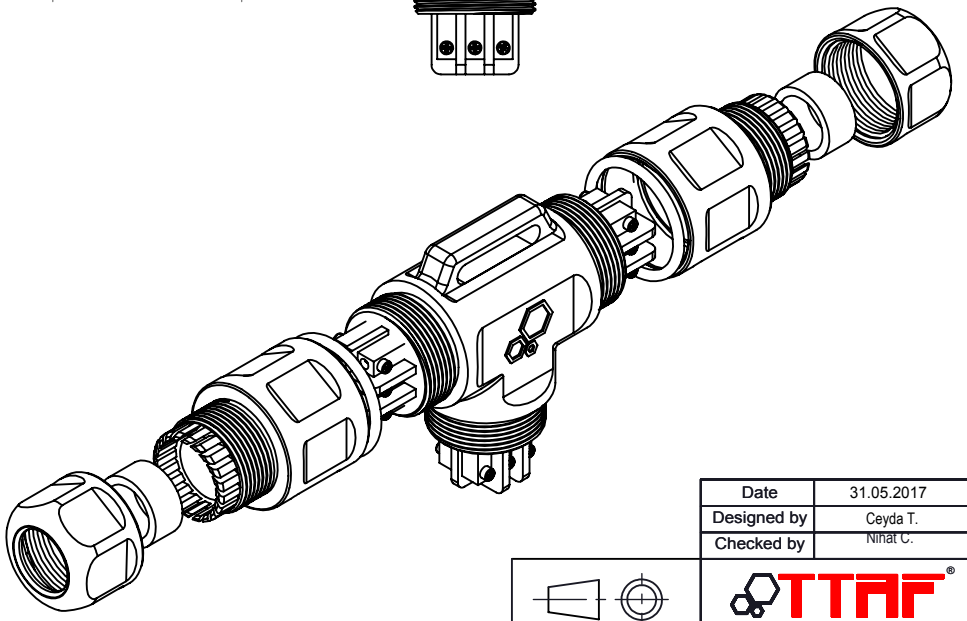
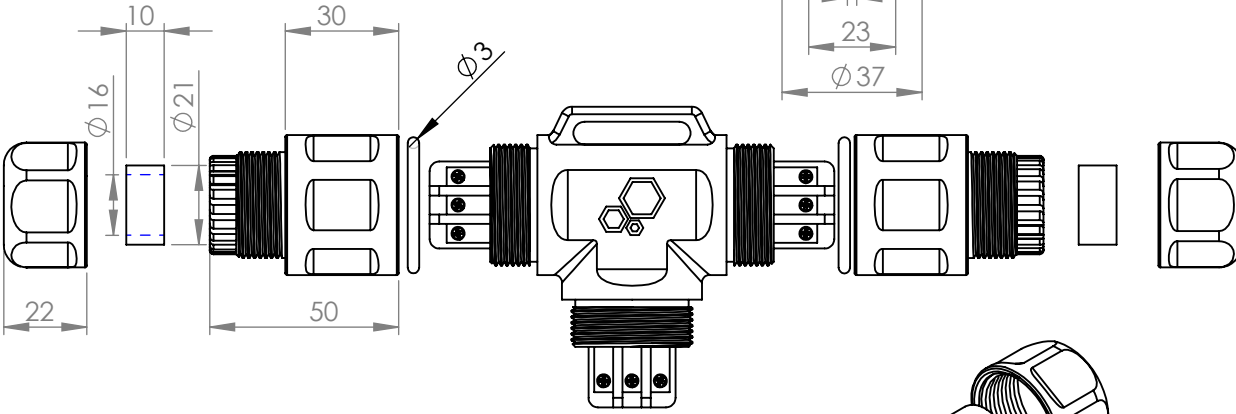
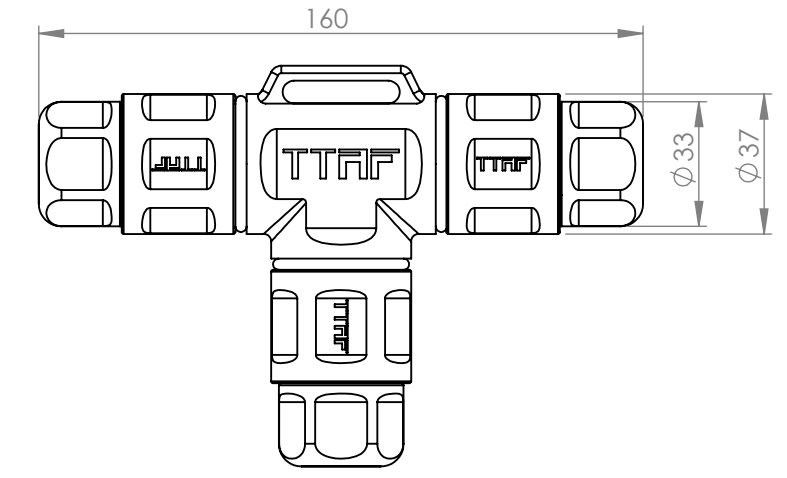
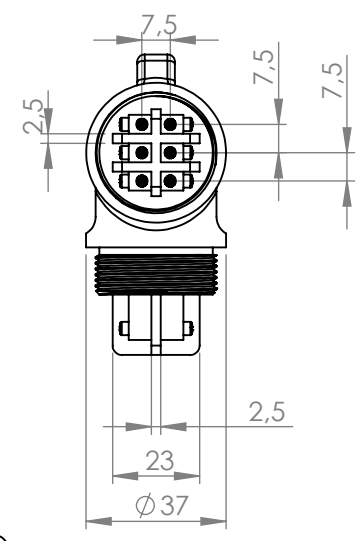
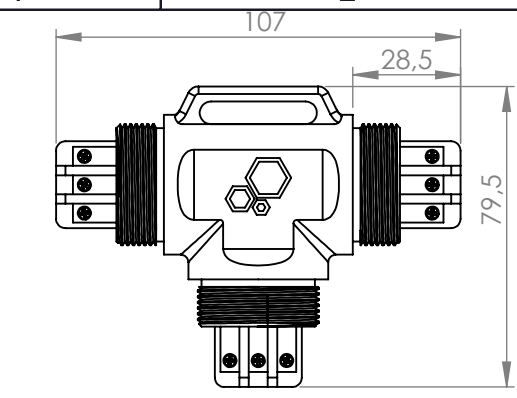
B

C

C

D

D



Technical Specification

- Number of Poles 6
- Voltage Rating 250VAC
- Current Rating 25A
- Durability Voltage 1500VAC@60s.
- Insulation Structure 1000 MΩ@1000VDC
- Contact Resistance 10 mΩ
- Max.Kablo Kesiti 4mm²
- Min. Wire Size OD 10mm
- Max. Wire Size OD 14mm
- Operating Temperature -40°C ~ +85°C
- IP Rating IP68 (60min/10meter)
- Mold Material PA6
- Contact/Terminal Material Nickel-Plated Brass
- Seal Material Silicon

Form No. FR-01/004 |YT: 10/2003 Rev:06 09/01/2012

1 2 3 4 5 6 A4

Date	31.05.2017	Rev.		Revision Detail		Rev.Dt.		Rev.by		Part No/ Name	
Designed by	Ceyda T.	-								6 Pin 'T' Field Assembly Connector	
Checked by	Nihal C.										Drawing Nr.
										Scale	1:1
										Sheet No	1/1

